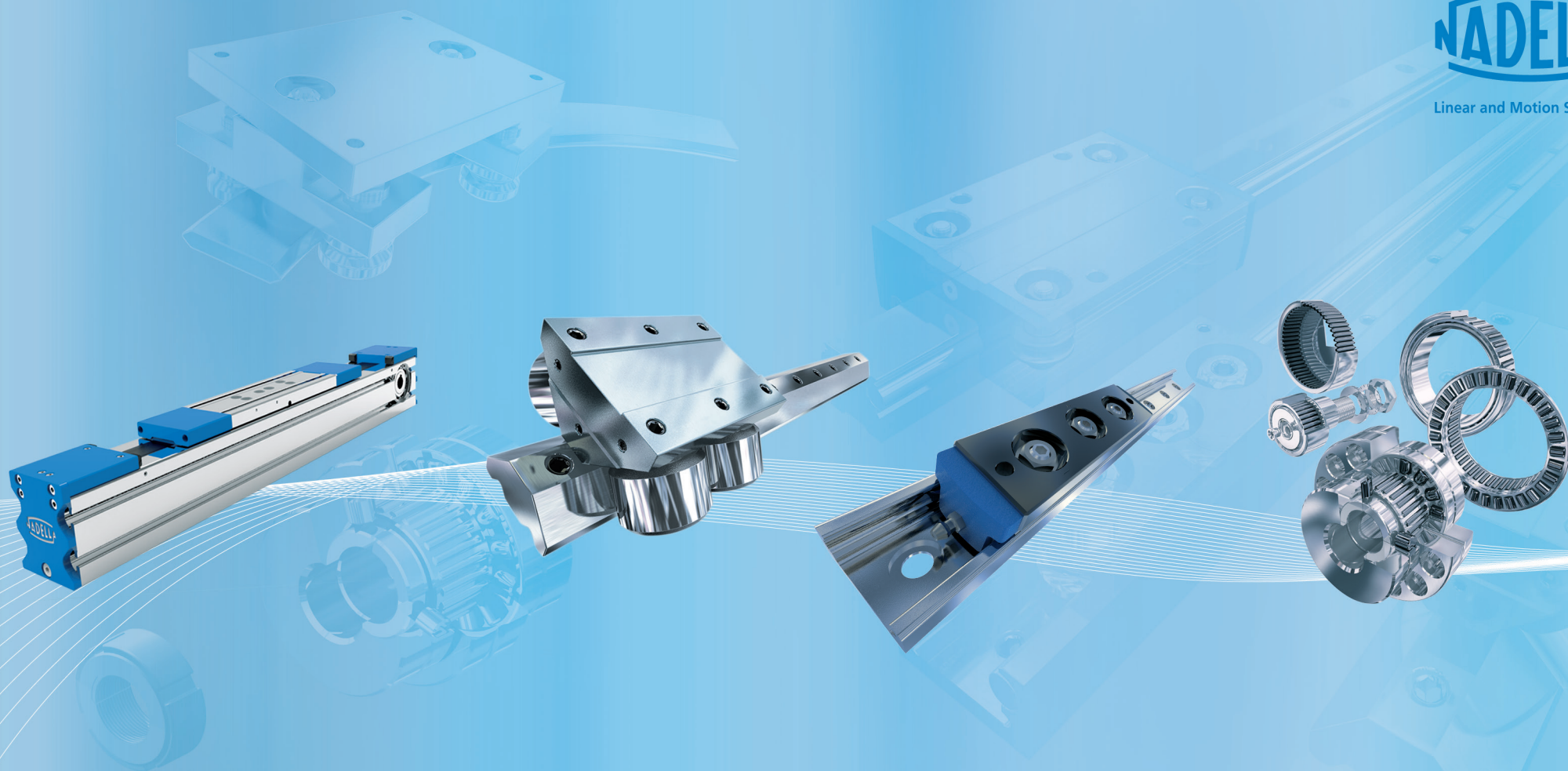




Linear and Motion Solutions



LET'S MOVE.

Welcome to the specialist for mechanical motion technology.

HIGH TECH

Highest product quality for highest requirements.



Linear and Motion Solutions

PERFORMANCE AND KNOW-HOW

Nadella represents 50 years of needle and cam follower bearing know-how. Our long history in design and manufacturing has extended over the years to the products you see below. It is a carefully crafted line that accommodates and complements any application.

Nadella Sales

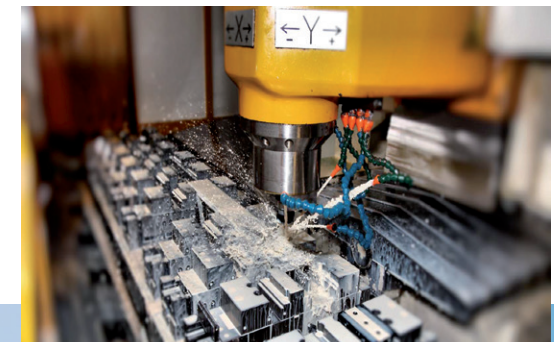
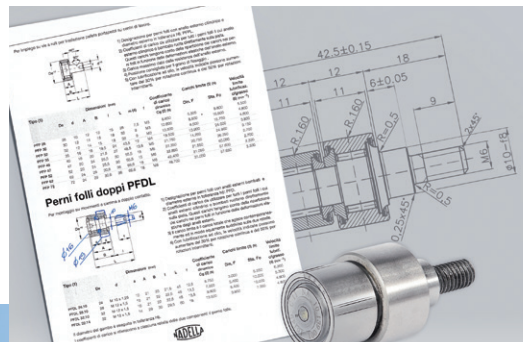
- Local Sales Representatives
- Application Engineering Support
- Local Warehousing & Assemble
- Fast and Competitive Quotes
- Worldwide Sales and Customer Support

Engineering and Research Department

- Innovative and Flexible Product Designs
- Product Solutions that meet Customer Requirements
- CAD Drawing available on Websites
- Free Application Engineering Support
- In-House Test and Inspection Equipment

Manufacturing and Research

- Production of Cam followers and Guide Rollers
- Manufacturing of Guide Rails in Aluminum, Steel and Stainless Steel
- Standard and Customized Products
- Inch and Metric Dimensions Available
- Fast Pick & Ship or to Order Assemblies
- All products meet ISO 9001 / 14001



OUR COMPLETE PROGRAM

Linear Modules

- Drive with toothed belt or ball screw
- Light to medium load applications
- Robust roller bearing and ball rail version
- Speed up to 10m/s (33ft/s)
- Strokes of up to 12000mm/ 40ft
- Gearbox configurations available
- Steel reinforced AT belt
- Belt covers
- Steel pulleys for longer life

Linear Guides

- For light and medium load applications
- Low profile design & easy mounting
- Corrosion resistant materials
- Lightweight aluminum body
- Harden steel or stainless steel shafts
- Rails up to 6000mm/ 20ft length
- Up to 10m/s (32ft/s) speed
- Self-lubrication and wipers avail.

Linear Guides

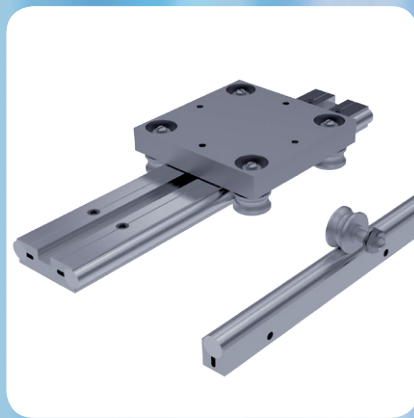
- For light and medium load applications
- Compact U-profile with inside carriage
- Corrosion resistant materials
- Self-alignment system
- Linear accuracy 0.5mm/meter
- Rails up to 6000mm/ 20ft length
- 6 sizes available
- Up to 10m/s (32ft/s) speed
- Joinable rails

Linear Guides

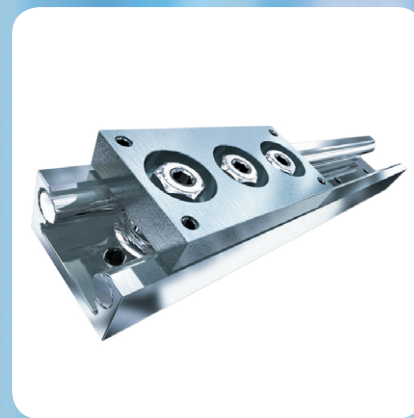
- For moderate load applications
- Self-aligning system
- High speed up to 8m/s (26ft/s)
- Acceleration up to 20m/s² (65ft/s²)
- Self-lubrication & wipers
- 3 Sizes available
- Rails up to 6000mm (20ft) length
- In zinc or nickel plating
- Short & long slider



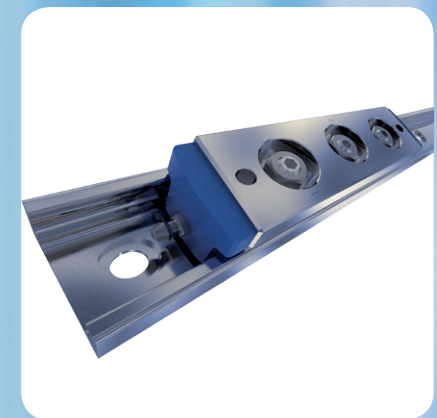
Linear actuators



Base-Line



U-Line



C-Line

Linear Guides

- Induction-hardened steel or stainless steel rails
- Linear accuracy 0.5mm/meter
- Low noise and vibration
- Speed up to 4m/s (13ft/s)
- Rails up to 6000mm/ 20ft length
- Double or single sided rails
- 9 Sizes available
- cold drawn or ground surfaces
- 3 Different bearing types available

Circular Guides

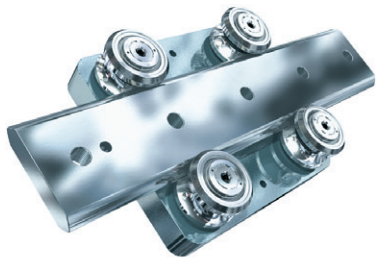
- Circular rails based on V-Line profiles
- Standard and custom radius
- Steel or stainless steel systems
- Fixed or pivoting carriages
- Nickel plating available
- 3 sizes available
- Easy joining & mounting hardware
- Ground surfaces

Linear Guides

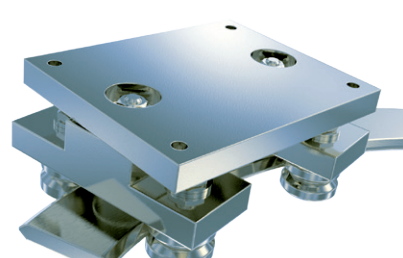
- For medium to heavy load applications
- Tapered roller bearings
- Harden steel or stainless steel rails
- Cold drawn profiles
- Speed up to 10m/s (32ft/s)
- Linear accuracy 0.5mm/m (0.019"/3ft)
- Rail length up to 6000mm/ 20ft length
- Optional lubricators and wipers
- 3 Sizes available & joinable rails

Linear Guides

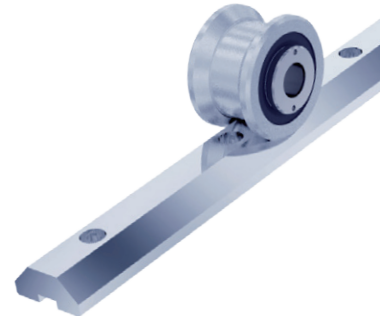
- Medium to heavy load applications
- 3 Sizes available
- Linear speed 4m/s (13ft/s)
- Metal seals for harsh environments
- Rails up to 6000mm/ 20ft length
- Machined or ground rails
- Complete kit assemblies



V-Line



Multi-Motion-Line



Heavy-Line



Rolbloc

Telescopic-Line

- Moderate to heavy load applications
- Partial and full extension strokes
- Loads from 10 up to 1.000 kg (22 to 2200 lbs)
- Steel or stainless steel available
- Soft stops, locking devices and wipers
- Up to 2500mm/ 8ft strokes
- Standard and custom made products

Needle bearings

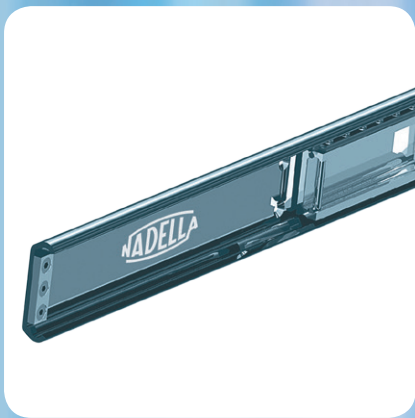
- Light to heavy load applications
- Sizes up to 300mm/ 12"
- Smallest sizes in industry
- Needle bearing full complement or caged
- Highest precision on market
- Patented thrust bearing with retainer plate for kit assembly
- Combined bearing in 2-piece version
- Complete kit assemblies or just bushings and needles

Cam Follower and Track rollers

- Light to heavy load applications
- Sizes from 5 to 320mm/ 0.19" o 12.6"
- Concentric and eccentric versions
- Double CAM and custom designs
- Metal seals for harsh environments
- Steel and stainless Steel systems
- Complete kit assemblies
- Two different bearing configurations
 - Needle Bearing
 - Taper Roller Bearing

Rod ends and spherical-plain bearings

- with roller or ball bearing series from 6 to 40 mm
- with sliding bearings, maintenance free (DURBAL-Glide) or maintenance required from 5 to 1.000 mm
- for custom made system solutions (linkages) and on request special products according to drawing
- in aluminum or stainless steel version or with special coating (DURBAL-Coat)
- for hydraulic cylinders with female thread or for welding



Telescopic-Line



Needle bearings



Cam followers



Rod ends

GET IN TOUCH WITH US

Sales organisation worldwide

■ Nadella S.r.l.

Via Melette, 16
20128 Milano
Tel. +39 02.27.093.297
Fax +39 02.25.51.768
customer.service@nadella.it
www.nadella.it

■ Nadella GmbH

Rudolf-Diesel-Straße 28
71154 Nufringen
Tel. +49 (0)70 32 95 40-0
Fax +49 (0)70 32 95 40-25
info@nadella.de
www.nadella.de

■ Nadella Inc.

14115 - 63 Way North
Clearwater, 33760-3621
Florida, USA
Toll free +1 866 828 0611
Fax +1 844 537 0331
info@nadella.com
www.nadella.com

■ Nadella Linear Shanghai Co.Ltd.

No. 3456 South Pudong Road
Shanghai 200125
Tel. +86 21 5068 3835
Fax +86 21 5038 7725
info@nadella.cn.com
www.nadella.cn.com

■ Durbal Vertriebsges.mmbH

Verrenberger Weg 2-2a
74613 Öhringen
Tel. +49 (0)7941 9460-0
Fax +49 (0)7941 9460-90
info@durbal.de
www.durbal.de

NADELLA WORLDWIDE DISTRIBUTION NETWORK

- Austria
- Czech Republic
- Germany
- Italy
- Poland
- Slovenia
- Taiwan
- Belgium
- Denmark
- Great Britain
- Korea
- Romania
- Spain
- Turkey
- Brazil
- Finland
- Hungary
- Netherlands
- Singapore
- Sweden
- Switzerland
- China
- France
- India
- Norway
- Slovakia
- USA



■ Head Offices
• Branches and distributors